

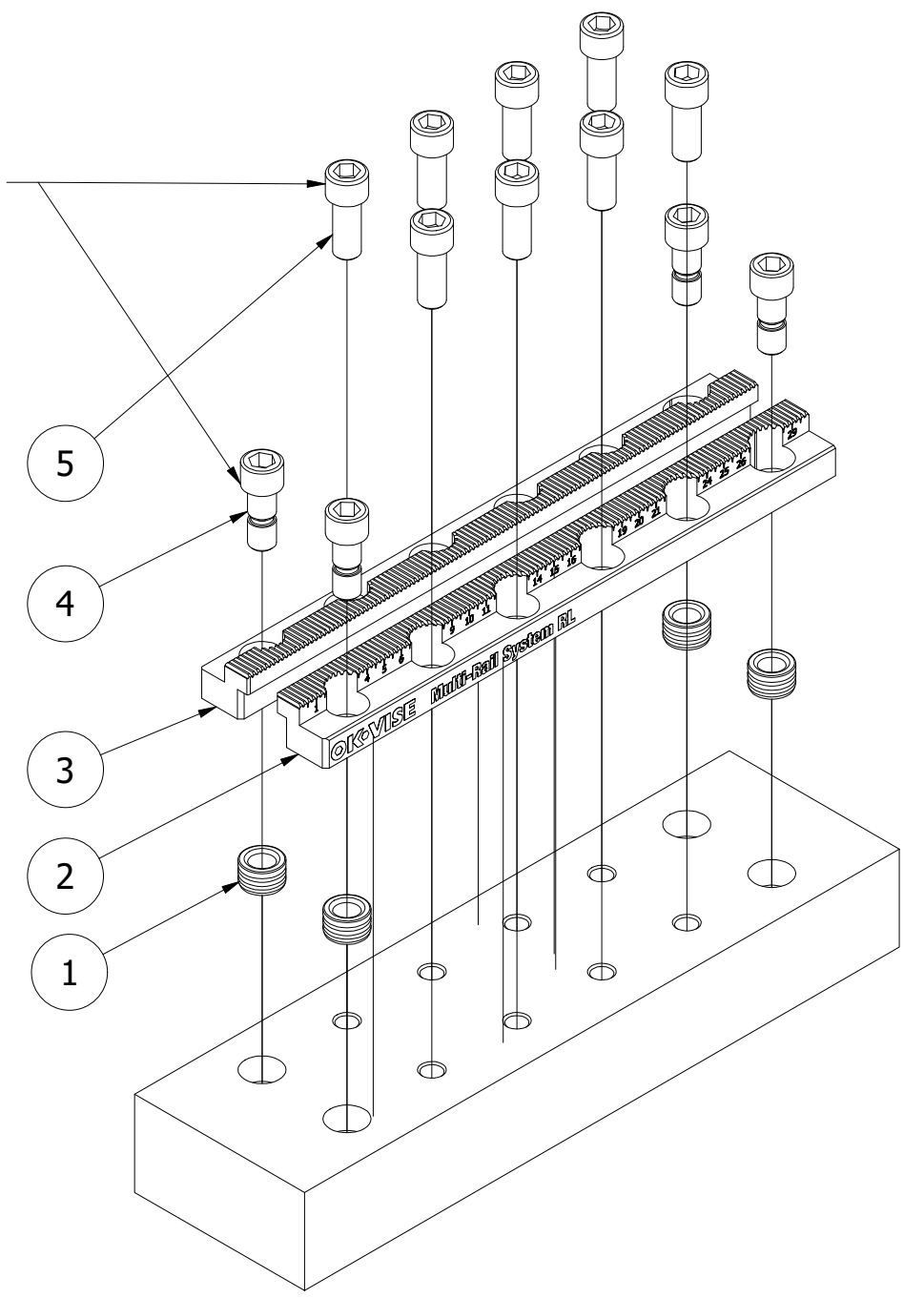
M12 X 28  
 ⌊ Ø20 H6  $\begin{pmatrix} +0,013 \\ -0,000 \end{pmatrix}$  ∇ 13

M12 X 28  
 ⌊ Ø20 H6  $\begin{pmatrix} +0,013 \\ -0,000 \end{pmatrix}$  ∇ 13

M12 X 28  
 ⌊ Ø20 H6  $\begin{pmatrix} +0,013 \\ -0,000 \end{pmatrix}$  ∇ 13

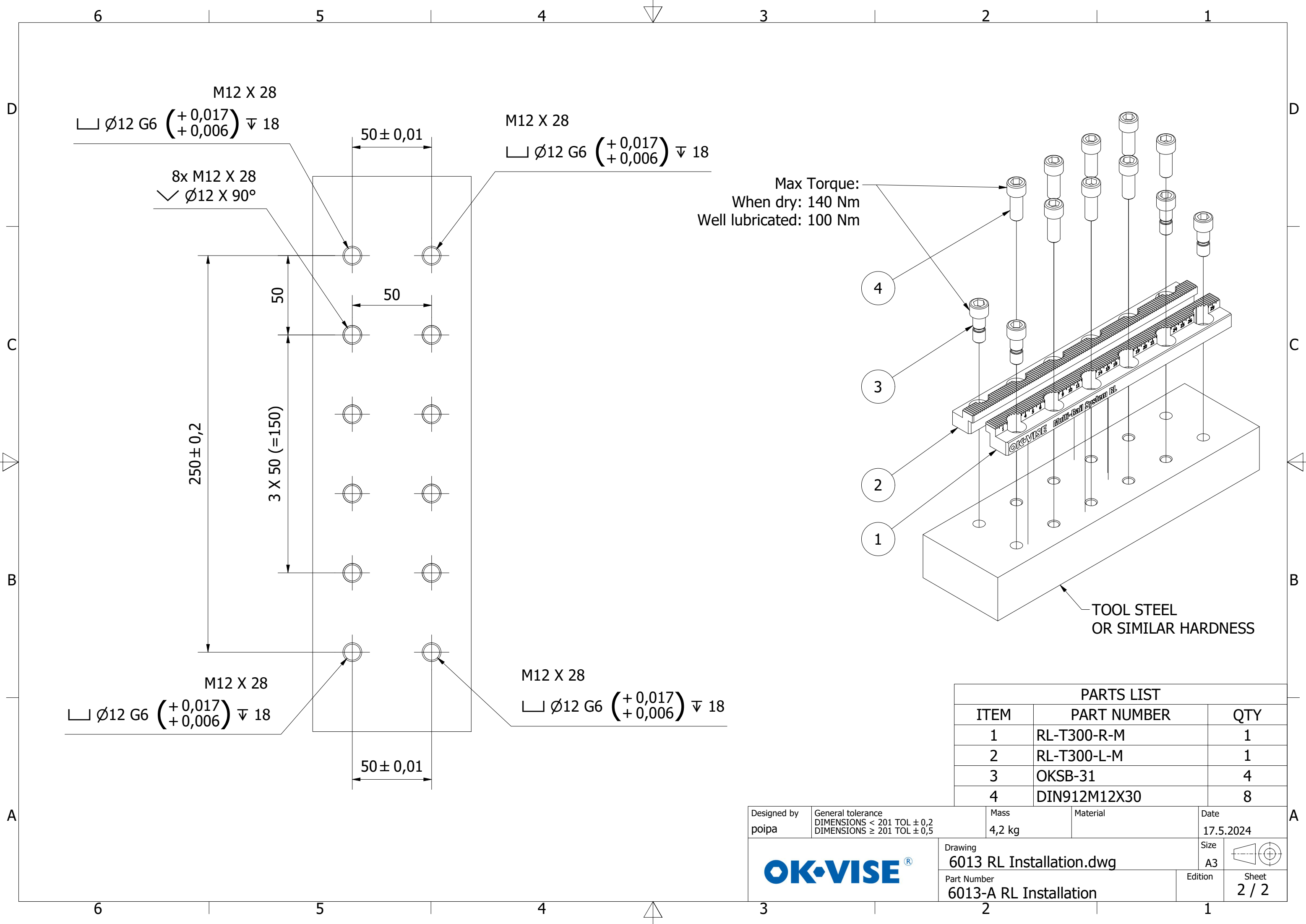
M12 X 28  
 ⌊ Ø20 H6  $\begin{pmatrix} +0,013 \\ -0,000 \end{pmatrix}$  ∇ 13

Max Torque:  
 When dry: 140 Nm  
 Well lubricated: 100 Nm



PARTS LIST		
ITEM	PART NUMBER	QTY
1	OKPB1220	4
2	RL-T300-R-M	1
3	RL-T300-L-M	1
4	OKSB-31	4
5	DIN912M12X30	8

Designed by poipa	General tolerance DIMENSIONS < 201 TOL ± 0,2 DIMENSIONS ≥ 201 TOL ± 0,5	Mass 4.3 kg	Material	Date 17.5.2024
		Drawing 6013 RL Installation.dwg	Size A3	
		Part Number 6013-B RL Installation	Edition 1	



M12 X 28  
 $\perp \varnothing 12 \text{ G6 } \begin{pmatrix} +0,017 \\ +0,006 \end{pmatrix} \nabla 18$

8x M12 X 28  
 $\surd \varnothing 12 \text{ X } 90^\circ$

M12 X 28  
 $\perp \varnothing 12 \text{ G6 } \begin{pmatrix} +0,017 \\ +0,006 \end{pmatrix} \nabla 18$

M12 X 28  
 $\perp \varnothing 12 \text{ G6 } \begin{pmatrix} +0,017 \\ +0,006 \end{pmatrix} \nabla 18$

M12 X 28  
 $\perp \varnothing 12 \text{ G6 } \begin{pmatrix} +0,017 \\ +0,006 \end{pmatrix} \nabla 18$

PARTS LIST		
ITEM	PART NUMBER	QTY
1	RL-T300-R-M	1
2	RL-T300-L-M	1
3	OKSB-31	4
4	DIN912M12X30	8

Designed by poipa	General tolerance DIMENSIONS < 201 TOL ± 0,2 DIMENSIONS ≥ 201 TOL ± 0,5	Mass 4,2 kg	Material	Date 17.5.2024
		Drawing 6013 RL Installation.dwg	Size A3	
		Part Number 6013-A RL Installation	Edition 1	